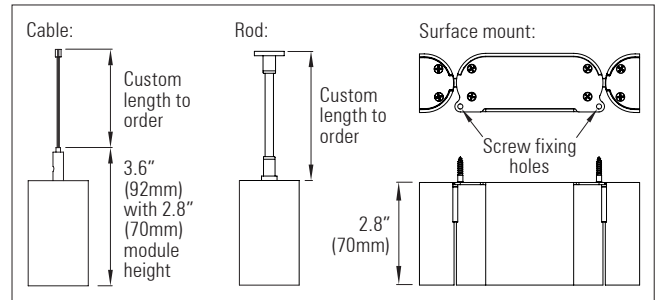
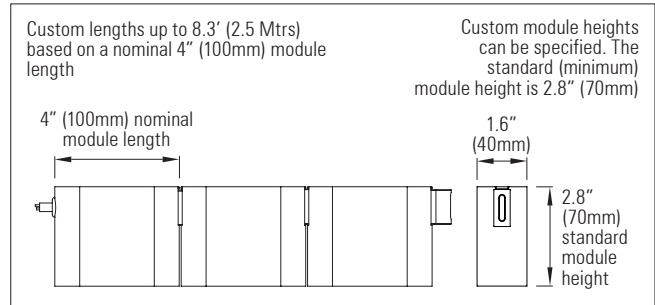
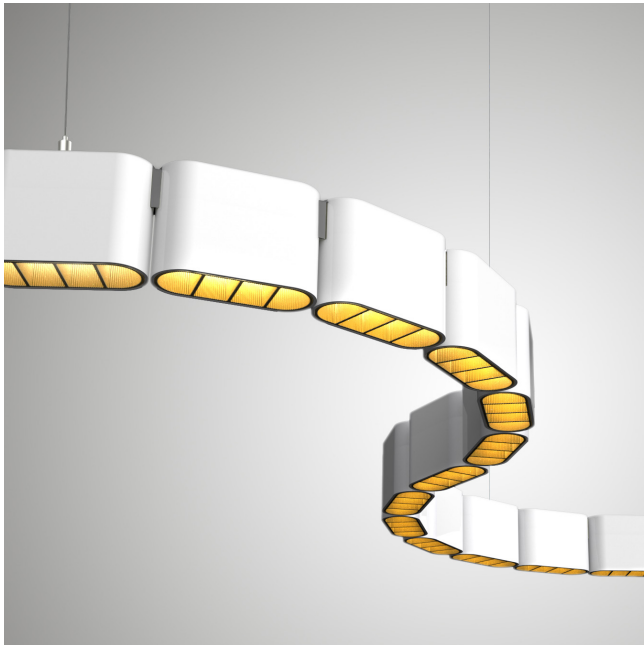


## Centura 40 IP20 Class 2

Flexible modular LED pendant lighting system

Down light - 2 or 4 x high power LEDs with lenses per module



Modular flexible LED pendant lighting system IP20 - Down light

### Product description:

Centura has an articulated linkage-joint system between modules allowing for flexibility along the major axis. This innovative modular design offers the flexibility to follow curved surfaces, encircle columns and domes, and to make irregular shaped pendants.

**Each module:** 2 or 4 x Cree XP-E, XP-G or Osram Oslon LEDs with Ledil Tina2 or Heidi lenses.

Up to 5 Watts per 4" (100mm) module

30 Volt - 48 Volt DC supply depending on application using integral LV constant current drivers

Dimming options available: 1 - 10V, DMX and DALI

Various LED colour temperature and CRI options available

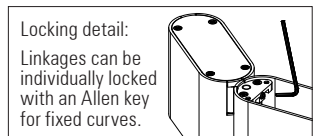
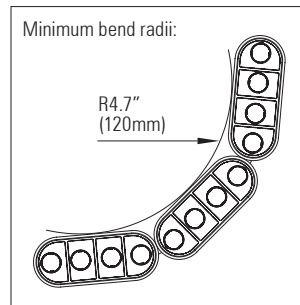
Body - Satin black, white or any RAL powder coat or anodized finish

Decorative anti-glare louvred snoots with custom powder coat or anodized finishes to order. The louvre finish can differ from the body.

Custom lengths based on a 4" (100mm) module up to 8.3' (2.5 Mtrs)

Rod, cable or surface mount options. Custom solutions are available

\* For options with colour mixing lens, see data sheets for Centura 40 IP20 versions with 1x LED cluster array with 32mm ø colour-mixing lens per module



Up to 1,500 lumens per ft  
(Up to 5,000 Lumens per Mtr)

| LED / lens matrix | CREE XP-E |         | CREE XP-G |         |
|-------------------|-----------|---------|-----------|---------|
|                   | Tina      | Heidi   | Tina      | Heidi   |
| Diffused spot (D) | 12 °      | 9 °     | 17 °      | 12 °    |
| Real spot (RS)    | 11 °      | 8 °     | 15 °      | 9 °     |
| Medium (M)        | 31 °      | 28 °    | 30 °      | 28 °    |
| Wide (W)          | 50 °      | 32 °    | 57 °      | 31 °    |
| Wide (WW)         | 55 °      | 44 °    | 58 °      | 44 °    |
| Wide (WWW)        | 57 °      | N/A     | 60 °      | N/A     |
| Elliptical (O)    | 32+14 °   | 48+10 ° | 35+16 °   | 47+14 ° |

| Product Code                      | No. of LEDs per foot                    | IP | Length                             | LED Type               | Colour Temp. (K)   | CRI          | Mounting Type              | Cut angle (°)                    | Finish                                     |
|-----------------------------------|---|----|------------------------------------|------------------------|--|--------------|----------------------------|----------------------------------|--|
| RAD CENTURA 40 FLEXIBLE DOWN IP20 | 12 x LEDs per foot: 1" (25mm) LED pitch | 20 | 4" (100mm) to 8.3' (2,500mm)       | Cree: XP-E, XP-G, XQ-E | 27=2,700k<br>30=3,000k<br>35=3,500k<br>40=4,000k<br>45=4,500k<br>50=5,000k | Cree: 80, 90 | Steel Cable                | 0° - 75°                         | Body: Any powder coat or anodized finish   |
|                                   | 6 x LEDs per foot: 2" (50mm) LED pitch  |    | Available in 4" (100mm) increments | Osram: Oslon           | * RGBW<br>* RGBA<br>* Dynamic white  | Osram: 95    | Fixed rod<br>Surface mount | Available in 5 degree increments | Louvre: Any powder coat or anodized finish |